



हिंदुस्तान ऑर्गेनिक केमिकल्स लिमिटेड HINDUSTAN ORGANIC CHEMICALS LTD

(भारत सरकार का उद्यम A Government of India Enterprise)

अंबलमुगल, कोची AMBALAMUGAL, KOCHI – 682 302

दूरभाष Phone: (0484) 2720911, 2727201, फैक्स FAX No. (0484) 2720893

ई निविदा सूचना E- TENDER NOTICE

एचओसीएल निम्न कार्य के लिए एकल बोली प्रणाली के अधीन ई बोलियाँ आमंत्रित की जाती हैं।

क्रमांक SI.No.	मद के विवरण और निविदा सं Description of Item and Tender No
1	एलईडी स्ट्रीट लाइट और फ़्लड लाइट फिक्सचर की स्थापन Installation of LED Street Light and Flood light fixtures निविदा संदर्भ सं Tender Ref No. : HOC/ELE/H2O2-UTY/548

निविदा दस्तावेज़ www.hoclindia.com या www.eprocure.gov.in से डाउनलोड कर सकता है। इच्छुक पार्टी निविदा में भाग लेने के लिए एनआईसी ई प्रोक्योरमेंट पोर्टल (यूआरएल : <https://eprocure.gov.in/eprocure/app>) में पंजीकृत करें। निर्धारित ऑनलाइन प्रक्रिया से भिन्न अन्य माध्यम से प्रस्तुत निविदाएँ स्वीकार नहीं किया जाएगा। कृपया अपना प्रस्ताव प्रस्तुत करने से पहले किसी जोड़/शुद्धिपत्र/विस्तार के लिए उपरोक्त वेबसाइट नियमित रूप से देखें। कृपया आपकी ई-बोली विनिर्देशों तथा निबंधन और शर्तों के अनुरूप **एकल-बोली** प्रणाली के अधीन प्रस्तुत करें।

Tender documents may be downloaded from www.hoclkochi.com or www.eprocure.gov.in. Interested parties may please get registered with NIC e-procurement portal (URL: <https://eprocure.gov.in/eprocure/app>.) to participate in the tender. Tenders submitted other than through online procedure specified will not be accepted. Please visit the above sites regularly for any addendum/ corrigendum. Please submit your e-bids under the **single-bid system** conforming to the specifications and the terms and conditions.

For and on behalf of Hindustan Organic Chemicals Limited (GSTIN: 32AAACH2663P1ZG)
(CIN: L99999MH1960GOIO11895)

पी सेलवेन्द्रन P Selvendran

महा प्रबन्धक (विद्युत) General Manager (Electrical)



HINDUSTAN ORGANIC CHEMICALS LIMITED
(A Government of India Enterprise)
AMBALAMUGAL, Ernakulam District, PIN – 682 302.
Phone: (0484) 2720911, FAX No. (0484) 2720893

E- TENDER NOTICE

HOCL Invites e-Bids under the **Single -bid system** for the following work:

Sl. No.	Description of Item and Tender No.
1	Installation of LED Street Light and Flood light fixtures Tender Ref No. : HOC/ELE/H2O2-UTY/548

Tender documents may be downloaded from www.hoclkochi.com or www.eprocure.gov.in. Interested parties may please get registered with NIC e-procurement portal (URL: <https://eprocure.gov.in/eprocure/app>.) to participate in the tender. Tenders submitted other than through online procedure specified will not be accepted. Please visit the above sites regularly for any addendum/ corrigendum. Please submit your e-bids under the **single-bid system** conforming to the specifications and the terms and conditions.

For and on behalf of Hindustan Organic Chemicals Limited (GSTIN: 32AAACH2663P1ZG)
(CIN: L99999MH1960GOIO11895)

P Selvendran
General Manager (Electrical)

TENDER FOR Installation of LED Street Light and Flood light fixtures

INDEX		
1	Scope of work	Annexure-I
2	General instructions for Online Bid Submission	Annexure-II
3	General Terms and conditions of the tender	Annexure-III
4	Declaration by Bidder	Annexure-IV
5	TECHNICAL BID (FORM – A)	Annexure-V
6	Installation Drawings	Annexure-VI

HINDUSTAN ORGANIC CHEMICALS LIMITED

(A Government of India Enterprise)
Ambalamugal P.O.,Ernakulam District, Kerala – 682 302.

HOCL Tender Ref No.: HOC/ELE/H2O2-UTY/548

Installation of LED Street Light and Flood light fixtures

SCOPE OF WORK

***THIS DOCUMENT TO BE SIGNED AND SEALED BY BIDDER ON ALL PAGES AND
SUBMITTED ALONG WITH THE E-TENDER***

Contractor shall carry out the Installation, Testing and Commissioning of LED street light fixtures, LED flood light fixtures and Junction boxes as per the scope of work given below.

a) Installation of 60W LED light fixture:

Contractor shall install and commission the 60W LED street Light fixture as per drawing No. ELE/H2O2-UTY/01. All the structural items such as 40mm NB G.I pipes (class B, TATA/JINDAL make), M.S flat, M.S Angles, Bolt, Nut and washers shall be supplied and erected by the contractor. Support pipe shall be bended to approximately 105 Degree angles as per the drawing. All the structural items after fabrication and welding shall be painted using one coat epoxy primer and one coat epoxy finish paint of light/smoke grey colour. Dimension of clamp given in the drawing are approximate only. Contractor shall take the actual measurement required for pipe clamps from site before starting the fabrication works. Scaffold platform required for the installation work shall be arranged by contractor. All the welding and fabrication works are under scope of contractor.

b) Installation of 36/40/45W LED light fixture:

Contractor shall install and commission 36/40/45 LED street Light fixture as per drawing No.ELE/H2O2-UTY/02. All the structural items such as 25 mm NB G.I pipes (Class B, TATA/JINDAL make.), M.S flat, M.S Angles, Bolt, Nut and washers shall be supplied and erected by the contractor. Support pipe shall be bended to approximately 105 Degree angles as per the drawing. All the structural items after fabrication and welding shall be painted using one coat epoxy primer and one coat epoxy finish paint of light/smoke grey colour. Dimension of clamp given in the

drawing are approximate only. Contractor shall take the actual measurement required for pipe clamps from site before starting the fabrication works. Scaffold platform required for the installation work shall be arranged by contractor.

c) Installation of 100W LED flood light fixture:

Contractor shall install and commission 100W, IP65 non-flameproof LED flood light fixture on Building parapet wall (at a height of nearly 8 meters from FFL and on existing lighting poles (75 mm G.I pipe having height nearly 7 to 8 meters from FFL) as per drawing no.ELE/H2O2-UTY/04. Existing light fixture 250W HPMV from parapet wall and existing light poles shall be removed by contractor wherever we are replacing it with 100W LED flood light fixtures. All the required M.S structural, Anchor fasteners, Bolts and Nuts shall be supplied by party. M.S structural shall be painted using one coat Epoxy primer and one coat epoxy paint of smoke grey colour. All welding work and fabrication work shall be done by party. Scaffold platform for installing flood light fixtures on existing light poles shall be arranged by party.

d) Installation of Street Light Junction Boxes:

Contractor shall dismantle the existing damaged lighting junction boxes (Sintex make) installed at base of concrete light poles and replace it with new junction boxes supplied by HOCL. Cable gland dismantling, termination, installation and commissioning works shall be done by party. Old cable glands shall be removed and new cable glands shall be installed. Excavation and vegetation cutting around concrete light poles incase required for cable glanding shall be done by party. All the cable glands are of single compression type of good quality. Junction boxes supplied by HOCL shall have suitable Elmex connectors and HRC fuses. Contractor shall provide necessary holes on the JB's depending up on site situations. All the JB's are of Sintex make. In normal conditions street light Junction boxes shall have 2 nos 3Cx25 sq.mm AYFY cable and 1 no.3Cx2.5 sq.mm YWY cable terminated on it. Cables going to street light fixtures shall be properly clamped on the concrete light poles at suitable intervals. Clamping arrangement shall be permanent type either by suitable size aluminum strips or clamps. All the screws used for JB installation and clamping shall be stainless steel type.

ANNEXURE-II

General instructions for Online Bid Submission

The bidders are required to submit soft copies of their bids electronically on the CPP Portal, using valid Digital Signature Certificates. The instructions given below are meant to assist the bidders in registering on the CPP Portal, prepare their bids in accordance with the requirements and submitting their bids online on the CPP Portal.

More information useful for submitting online bids on the CPP Portal may be obtained at: <https://eprocure.gov.in/eprocure/app>.

REGISTRATION

- 1) Bidders are required to enroll on the e-Procurement module of the Central Public Procurement Portal (URL: <https://eprocure.gov.in/eprocure/app>) by clicking on the link “**Online bidder Enrollment**” on the CPP Portal which is free of charge.
- 2) As part of the enrolment process, the bidders will be required to choose a unique username and assign a password for their accounts.
- 3) Bidders are advised to register their valid email address and mobile numbers as part of the registration process. These would be used for any communication from the CPP Portal.
- 4) Upon enrolment, the bidders will be required to register their valid Digital Signature Certificate (Class III Certificates with signing key usage) issued by any Certifying Authority recognized by CCA India (e.g. Sify / nCode / eMudhra etc.), with their profile.
- 5) Only one valid DSC should be registered by a bidder. Please note that the bidders are responsible to ensure that they do not lend their DSC's to others which may lead to misuse.
- 6) Bidder then logs in to the site through the secured log-in by entering their user ID / password and the password of the DSC / e-Token.

SEARCHING FOR TENDER DOCUMENTS

- 1) There are various search options built in the CPP Portal, to facilitate bidders to search active tenders by several parameters. These parameters could include Tender ID, Organization Name, Location, Date, Value, etc. There is also an option of advanced search for tenders, wherein the bidders may combine a number of search parameters such as Organization Name, Form of Contract, Location, Date, Other keywords etc. to search for a tender published on the CPP Portal.
- 2) Once the bidders have selected the tenders they are interested in, they may download the required documents / tender schedules. These tenders can be moved to the respective 'My Tenders' folder. This would enable the CPP Portal to intimate the bidders through SMS / e-mail in case there is any corrigendum issued to the tender document.
- 3) The bidder should make a note of the unique Tender ID assigned to each tender, in case they want to obtain any clarification / help from the Helpdesk.

PREPARATION OF BIDS

- 1) Bidder should take into account any corrigendum published on the tender document before submitting their bids.
- 2) Please go through the tender advertisement and the tender document carefully to understand the documents required to be submitted as part of the bid. Please note the number of covers in which the bid documents have to be submitted, the number of documents - including the names and content of each of the document that need to be submitted. Any deviations from these may lead to rejection of the bid.
- 3) Bidder, in advance, should get ready the bid documents to be submitted as indicated in the tender document / schedule and generally, they can be in PDF / XLS / RAR / DWF/JPG formats. Bid documents may be scanned with 100 dpi with black and white option which helps in reducing size of the scanned document.
- 4) To avoid the time and effort required in uploading the same set of standard documents which are required to be submitted as a part of every bid, a provision of uploading such standard documents (e.g. PAN card copy, annual reports, auditor certificates etc.) has been provided to the bidders. Bidders can use "My Space" or "Other Important Documents" area available to them to upload such documents. These documents may be directly submitted from the "My Space" area while submitting a bid, and need not be uploaded again and again. This will lead to a reduction in the time required for bid submission process.

Note: My Documents space is only a repository given to the Bidders to ease the uploading process. If Bidder has uploaded his Documents in My Documents space, this does not automatically ensure these Documents being part of Technical Bid.

SUBMISSION OF BIDS

- 1) Bidder should log into the site well in advance for bid submission so that they can upload the bid in time i.e. on or before the bid submission time. Bidder will be responsible for any delay due to other issues.
- 2) The bidder has to digitally sign and upload the required bid documents one by one as indicated in the tender document.
- 3) Bidder has to select the payment option as “offline” to pay the tender fee / EMD as applicable and enter details of the instrument.
- 4) Bidder should prepare the EMD as per the instructions specified in the tender document. The original should be posted/couriered/given in person to the concerned official, latest by the last date of bid submission or as specified in the tender documents. The details of the DD/any other accepted instrument, physically sent, should tally with the details available in the scanned copy and the data entered during bid submission time. Otherwise the uploaded bid will be rejected.
- 5) Bidders are requested to note that they should necessarily submit their financial bids in the format provided and no other format is acceptable. If the price bid has been given as a standard BoQ format with the tender document, then the same is to be downloaded and to be filled by all the bidders. Bidders are required to download the BoQ file, open it and complete the white coloured (unprotected) cells with their respective financial quotes and other details (such as name of the bidder). No other cells should be changed. Once the details have been completed, the bidder should save it and submit it online, without changing the filename. If the BOQ file is found to be modified by the bidder, the bid will be rejected.
- 6) The server time (which is displayed on the bidders’ dashboard) will be considered as the standard time for referencing the deadlines for submission of the bids by the bidders, opening of bids etc. The bidders should follow this time during bid submission.
- 7) All the documents being submitted by the bidders would be encrypted using PKI encryption techniques to ensure the secrecy of the data. The data entered cannot be viewed by unauthorized persons until the time of bid opening. The confidentiality of the bids is maintained using the secured Socket Layer 128 bit encryption technology. Data storage encryption of sensitive fields is done. Any bid document that is uploaded to the server is subjected to symmetric encryption using a

system generated symmetric key. Further this key is subjected to asymmetric encryption using buyers/bid opener's public keys. Overall, the uploaded tender documents become readable only after the tender opening by the authorized bid openers.

- 8) The uploaded tender documents become readable only after the tender opening by the authorized bid openers.
- 9) Upon the successful and timely submission of bids (i.e. after Clicking "Freeze Bid Submission" in the portal), the portal will give a successful bid submission message & a bid summary will be displayed with the bid no. and the date & time of submission of the bid with all other relevant details.
- 10) The bid summary has to be printed and kept as an acknowledgement of the submission of the bid. This acknowledgement may be used as an entry pass for any bid opening meetings.

ASSISTANCE TO BIDDERS

- 1) Any queries relating to the tender document and the terms and conditions contained therein should be addressed to the Tender Inviting Authority for a tender or the relevant contact person indicated in the tender.
- 2) Any queries relating to the process of online bid submission or queries relating to CPP Portal in general may be directed to the 24x7 CPP Portal Helpdesk.

Contact Person

Mr. Midhun Babu

Sr. Systems Analyst (HOCL)

Mob : 8921387812 , 0484 - 2727401

ANNEXURE-III

HINDUSTAN ORGANIC CHEMICALS LIMITED

(A Government of India Enterprise)
Ambalamugal P.O.,Ernakulam District, Kerala – 682 302.

HOCL Tender Ref No.: HOC/ELE/H2O2-UTY/548

Installation of LED Street Light and Flood light fixtures

GENERAL TERMS AND CONDITIONS

***THIS DOCUMENT TO BE SIGNED AND SEALED BY BIDDER ON ALL PAGES AND
SUBMITTED ALONG WITH THE E-TENDER***

EARNEST MONEY DEPOSIT

NIL

COST OF TENDER DOCUMENTS

NIL

RATES

Goods and Service Tax (GST) applicable shall be paid extra, to those who have GSTIN registration, unless otherwise specified elsewhere.

**ESI, PF, LABOUR LAW, SHE (Safety, Health & Environment) etc.,
Requirements**

Refer Annexure A,B and C attached.

SECURITY DEPOSIT

Total security deposit shall be 10% of contract value/actual value of work.

Initial security deposit @ 2.5% of the contract value shall be remitted with HOCL, Kochi within 21 days from the date of receipt of Work Order.

Balance 7.5% will be recovered from the 1st and subsequent running bills/final bill against security deposit at a rate of 10% of the value of each running bill till the total security deposit is collected.

LIQUIDATED DAMAGES

If the work is not completed within the stipulated time, the contractor is liable to pay a LD of ½% of the total contract value per week of the delay or part there of subject to a maximum of 5% of the contract value.

PERIOD OF CONTRACT

Period of contract shall six months from the date of issue of work order / LOI.

TIME OF COMPLETION

Time of completion shall be six months from the date of issue of work order.

SCOPE OF SUPPLY

Contractor's scope:

Material: All the structural components such as G.I pipes, M.S angles, M.S flat, Aluminium flat, Bolts, Nuts, Washers, Screws, Cable glands, Cable Lugs, Cable clamps etc shall be supplied and erected by party.

Tools and Tackles:

All the required tools and tackles required for the installation of light fittings and JB's shall be supplied by party.

HOCL Scope:

Material: All the light fittings, Junction Boxes and cables required for light installation work shall be supplied by HOCL.

Tools and Tackles: Nil

VALIDITY OF THE TENDER

The tender shall be kept valid for acceptance for a period of **THREE** months from the last date prescribed for receipt of the tender.

A Tenderer shall not be entitled during the said period of three months without the consent in writing of the company to revoke or cancel his tender or to vary the tendered rate or any terms thereof.

BID SUBMISSION END DATE

03/08/2020 14:00 Hrs

BID OPENING DATE

04/08/2020 14:00 Hrs

PAYMENT TERMS

100% Payment shall be made on successful completion work.

DEFECT LIABILITY PERIOD

AS PER GCC

CONTRACT PREFERENCE

Contract / price preference or any other concessions applicable for **MSME / SSI Units / PSUs** will be as per latest Government of India Directives. For availing this benefit, the bidder shall make their claim in the Technical Bid itself and enclose necessary documentary evidence to prove their eligibility.

NOTE:

PRICED BID SUBMISSION- BOQ

Bidders are requested to note that they should necessarily **submit their financial bids in the format provided and no other format is acceptable**. If the price bid has been given as a standard BOQ format with the tender document, then the same is to be downloaded and to be filled by all the bidders. **Bidders are required to download the BOQ file, open it and complete the white coloured (unprotected) cells with their respective financial quotes and other details (such as name of the bidder)**. No other cells should be changed. Once the details have been completed, the bidder should save it and submit it online, without changing the filename. If the BOQ file is found to be modified by the bidder, the bid will be rejected.

OTHER TERMS AND CONDITIONS

The Following Documents are enclosed

- 1. SCOPE OF WORK**
- 2. GENERAL TERMS AND CONDITIONS OF THE TENDER**
- 3. DECLARATION BY BIDDER**
- 4. SPECIAL CONDITIONS OF CONTRACT**

The General Conditions of contract (GCC) is available on www.hoclkochi.com

Vendors who are unable to quote may kindly submit regret letter mentioning the reason for not submitting the bids.

Contact Persons (Hindustan Organic Chemicals Limited)

Sujith P.M
DM(E)
Phone 0484-2727226
Mail- pm.sujith@hocl.gov.in

ANNEXURE-IV

HINDUSTAN ORGANIC CHEMICALS LIMITED

(A Government of India Enterprise)
Ambalamugal P.O.,Ernakulam District, Kerala – 682 302.

HOCL Tender Ref No.: HOC/ELE/H2O2-UTY/548

Installation of LED Street Light and Flood light fixtures

DECLARATION BY BIDDER

(To be submitted along with the un priced bid)

***THIS DOCUMENT TO BE SIGNED AND SEALED BY BIDDER ON ALL PAGES AND
SUBMITTED ALONG WITH THE E-TENDER***

We _____

(Name and address of the bidder) hereby declare that, we have gone through and understood the tender documents, specification, scope of work and all other details in these tender documents. We confirm that we have the capabilities and experience in providing the required support.

DATE :

SIGNATURE OF AUTHORISED PERSON

PLACE :

COMPANY SEAL :

HINDUSTAN ORGANIC CHEMICALS LIMITED

(A Government of India Enterprise)
Ambalamugal P.O.,Ernakulam District, Kerala – 682 302.

HOCL Tender Ref No.: HOC/ELE/H2O2-UTY/548

Installation of LED Street Light and Flood light fixtures

TECHNICAL BID (FORM- A)

***THIS DOCUMENT TO BE SIGNED AND SEALED BY BIDDER ON ALL PAGES AND
SUBMITTED ALONG WITH THE E-TENDER***

PRO-FORMA-TECHNICAL BID

NAME OF WORK: **Installation of LED street Light and Flood light fixtures**

Reference: - Tender No : **HOC/ELE/H2O2-UTY/548**

2. PAN No of the bidder:

3. GSTIN No of the bidder:

Enclosed the tender documents signed & sealed in all pages (Tender Notice, Scope of Work, Conditions of Contract, EMD etc.)

Signature of the Tenderer :

Name of the Tenderer :

Address :

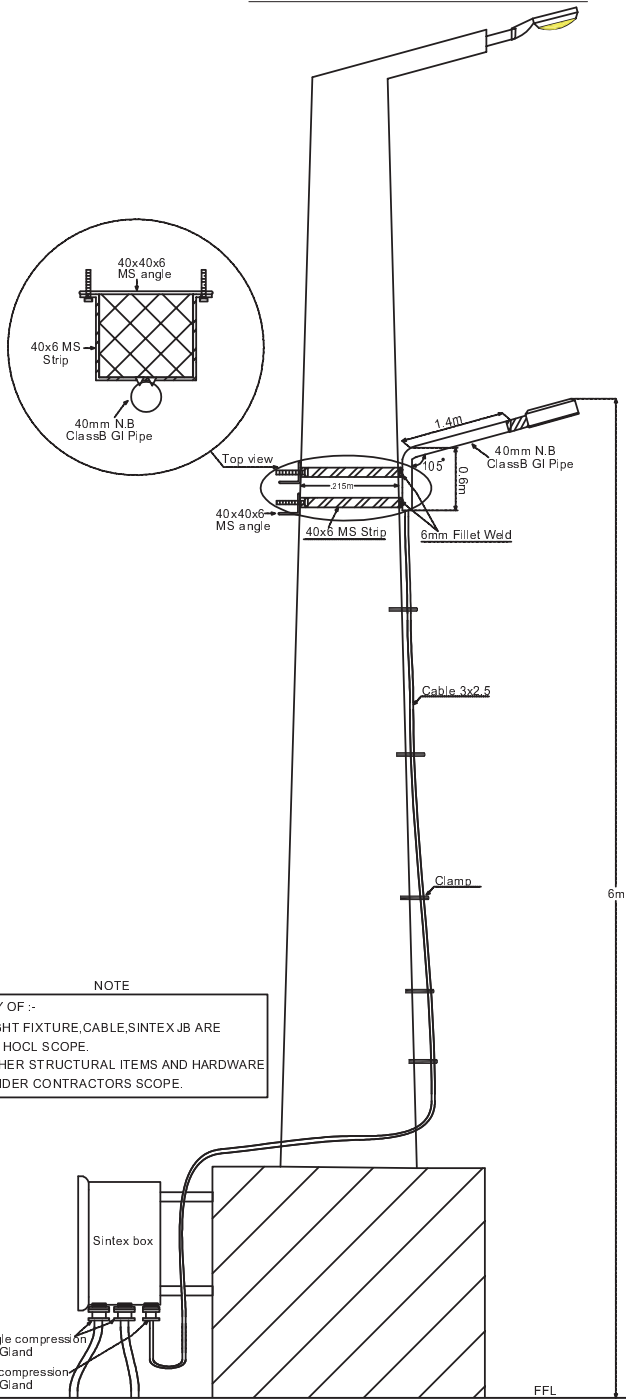
PLACE :

DATE :

Installation Drawings(Enclosed)

- 1.Installtion of 60W LED Street Light Fixtures- Dwng No.ELE/H2O2-UTY/1
- 2.Installation of 36/40/45W LED street Light Fixtures-Dwng No.ELE/H2O2-UTY/2
- 3.Installation details of JBs and G.I Pipes-Dwng No.ELE/H2O2-UTY/3
- 4.Installation of 100W LED Flood Light Fixtures-Dwng No.ELE/H2O2-UTY/4

SINGLE LINE DIAGRAM OF LED STREETLIGHT(60W)



NOTE

SUPPLY OF :-

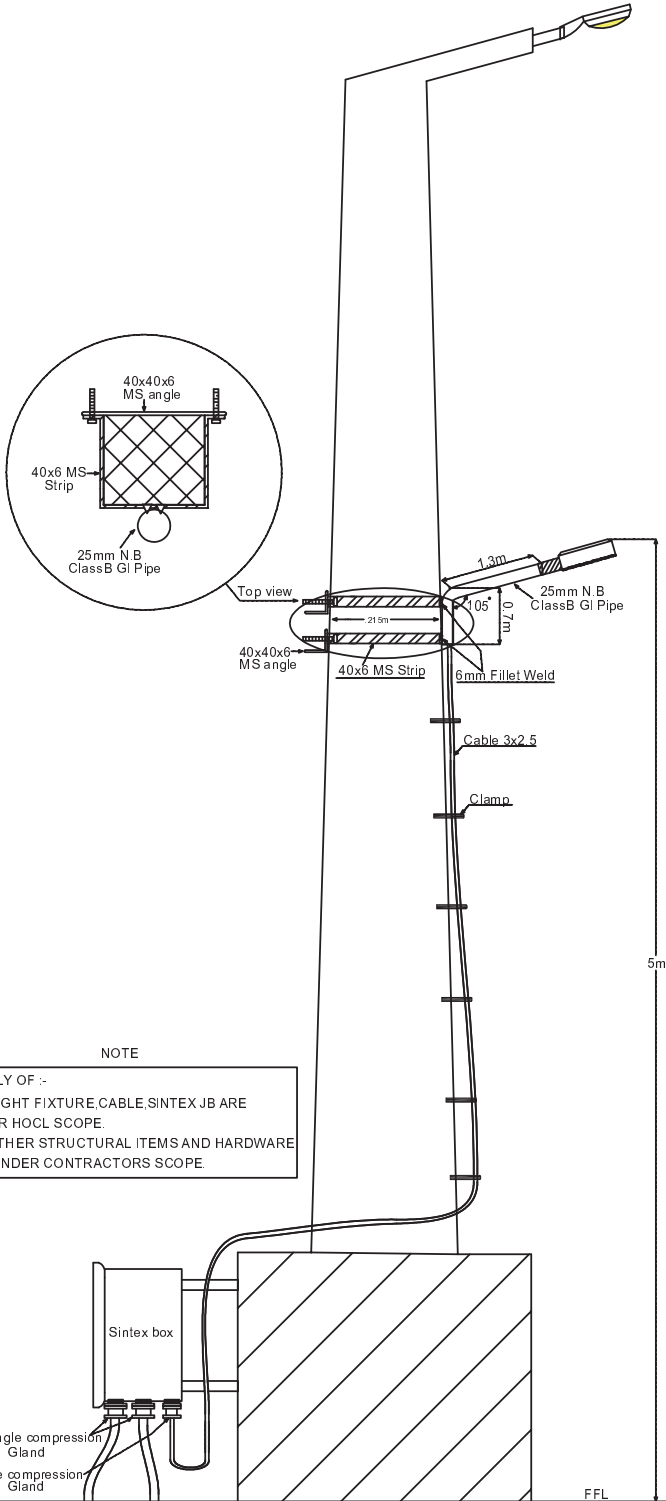
- LED LIGHT FIXTURE, CABLE, SINTEX JB ARE UNDER HOCL SCOPE.
- ALL OTHER STRUCTURAL ITEMS AND HARDWARE ARE UNDER CONTRACTORS SCOPE.

M25 Single compression Gland
M16 Single compression Gland

FFL

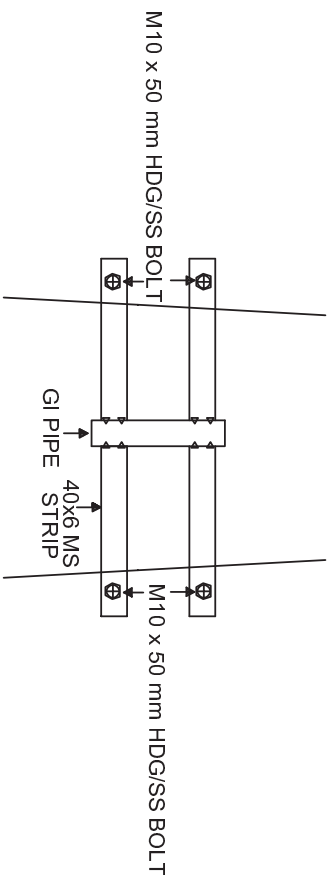
DRAWING NAME	ELE/H2O2-UTY/1
DATE	18/06/2020
DRAWN BY	HARIKRISHNAN

SINGLE LINE DIAGRAM OF LED STREETLIGHT (40W)

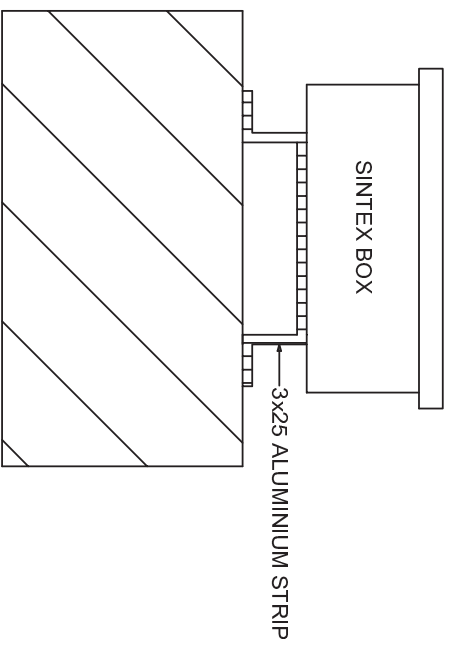


DRAWING NAME	ELE/H2O2-UTY/2
DATE	18/06/2020
DRAWN BY	HARIKRISHNAN

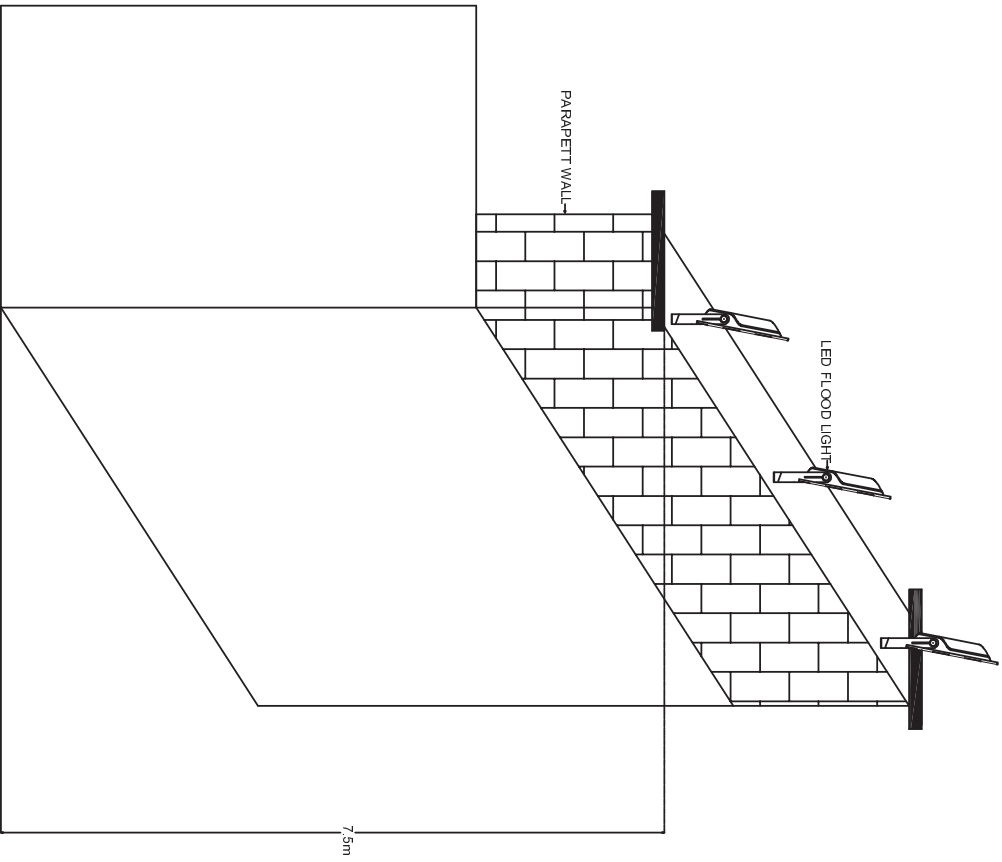
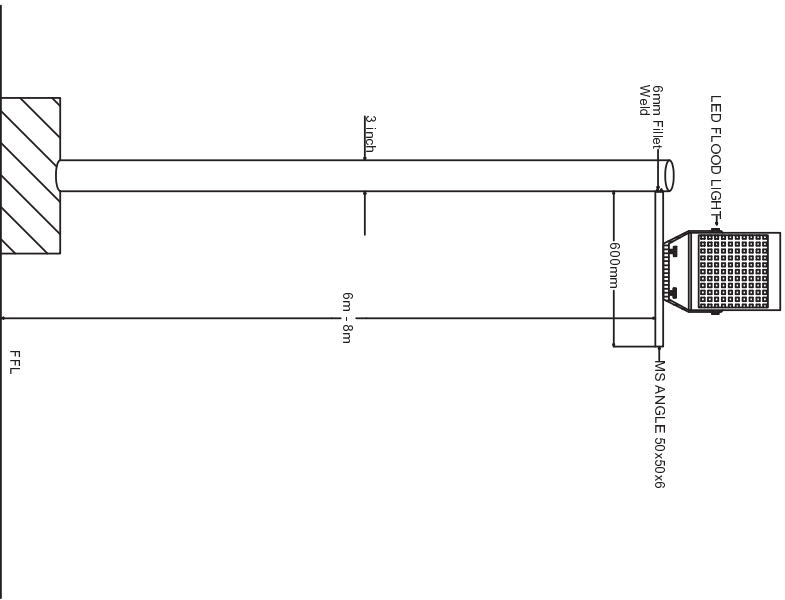
FRONT VIEW OF GI PIPE INSTALLATION



TOP VIEW OF SINTEX JUNCTION BOX INSTALLATION



DRAWING NAME	ELE/H202-UTY/3
DATE	18/06/2020
DRAWN BY	HARIKRISHNAN



DRAWING NAME	ELEPHANT UTILITY
DATE	21/06/2020
DRAWN BY	HARIKRISHNAN